

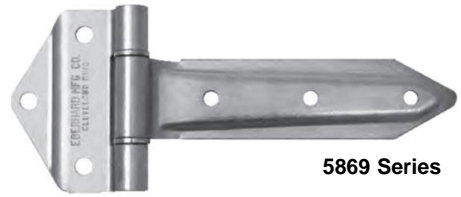
## 5869 / 5870 Stamped Steel Hinge

### Features

- Stamped hinge assembly with flush mounting
- **5869 Series:**
  - 8" stamped steel hinge for flush mounting
  - Has hardened steel truss bearings to effectively carry door loads
- **5870 Series:**
  - Same as 5869 Series except measures 12"

### Material

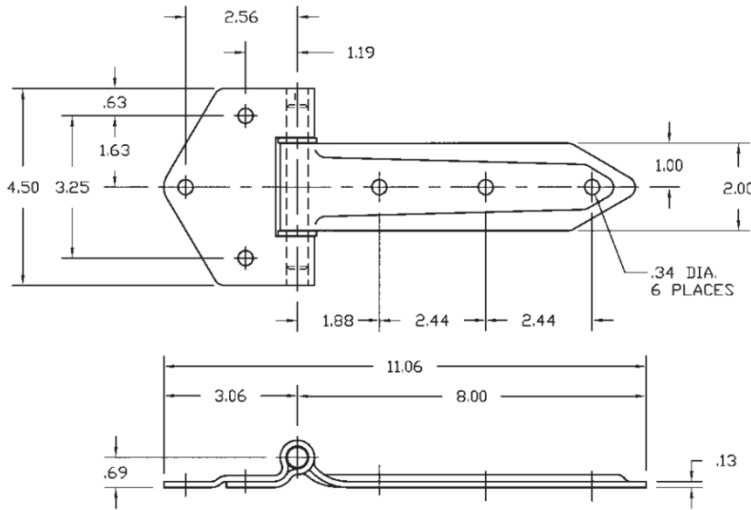
- Steel, zinc plated



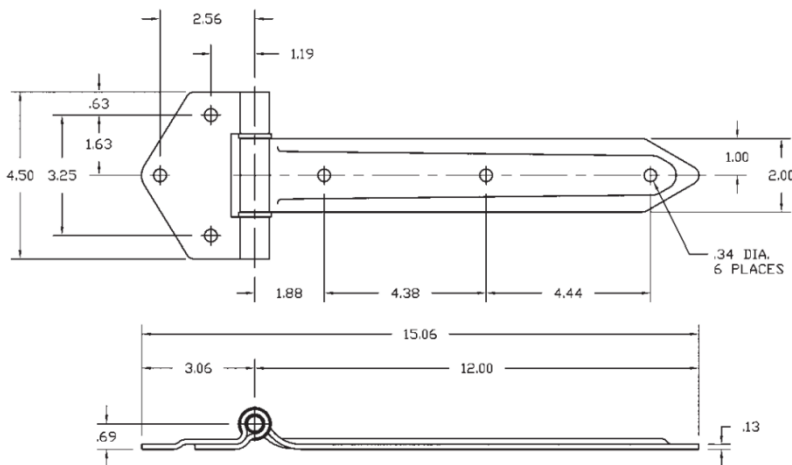
**5869 Series**



**5870 Series**



Part No.	Description
<b>5869-X</b>	Standard (as above)
<b>1-5869-X</b>	Same as 5869-X but with removable hinge pin



Part No.	Description
<b>5870-X</b>	Standard (as above)
<b>1-5870-X</b>	Same as 5870-X but with removable hinge pin

Dimensions in inches